

# ECONO|CLEAN



## CONTACT CLEANING MACHINE

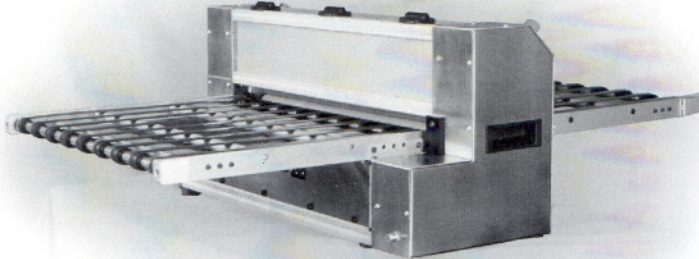
The Econoclean was designed to provide a high level of cleaning at a low cost. Contaminate is "lifted" up by the polymer rollers and transferred to the adhesive rolls. Built in anti-static removes the charge from the substrate after cleaning.

### **APPLICATIONS:**

Econoclean is a perfect choice for cleaning just prior to screen printing and many other similar processes. It can be used on polyester, PVC, polycarbonate, styrene, foam board, acrylic, and many others.



# ECONO|CLEAN



## FEATURES

- High level of cleaning efficiency
- Double Sided Cleaning
- Speed control
- Built in Anti-static
- Working speed up to 70 ft./minute
- Continuous forward or reverse
- Auto Reverse
- Lateral adjustable conveyors

## CLEANING WIDTHS

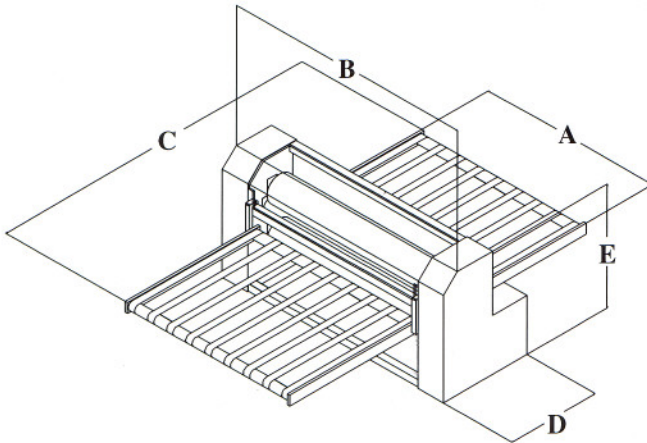
- 24.5 in (622 mm)
- 40 in (1016 mm)

## OPTIONS

- Air Compressor
- Adjustable stand with casters
- Upgraded anti-static system

## POWER REQUIREMENTS

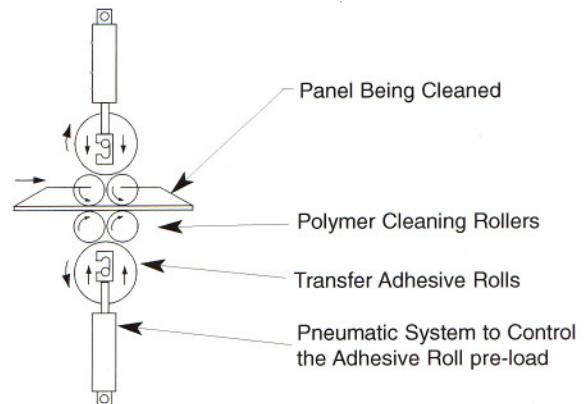
- 110VAC or 220VAC
- Air supply (60 P.S.I.)



Cleaning Width	24.5" (622 mm)	40" (1016 mm)
A	26" (660 mm)	42" (1067 mm)
B	34.9" (886 mm)	51.43" (1306 mm)
C	47" (1194 mm)	47" (1194 mm)
D	13.2" (335 mm)	13.2" (335 mm)
E	16.9" (429 mm)	16.9" (429 mm)

## THE CLEANING PROCESS

Special polymer rollers lift the contaminate from the panel and transfers them to the adhesive roll. When the adhesive roll becomes laden with contaminate, simply strip the outer layer exposing a new clean surface of adhesive.



INFORMATION CONTAINED IN THIS DOCUMENT  
SUBJECT TO CHANGE WITHOUT NOTICE



21 Morgan, Irvine, CA 92618 U.S.A. [www.sdionline.com](http://www.sdionline.com)  
Phone 949-583-1001 Fax: 949-583-7007