

MKTF

MICROKLEAN® THIN FILM

TACKY ROLLER CLEANING MACHINE FOR SUBSTRATES AS THIN AS 1 MIL (25 MICRON)

Specially formulated polymer rollers lift and remove contaminants
as small as 1 micron in size from your product surface.

No special chemicals, wipes, or handling needed.



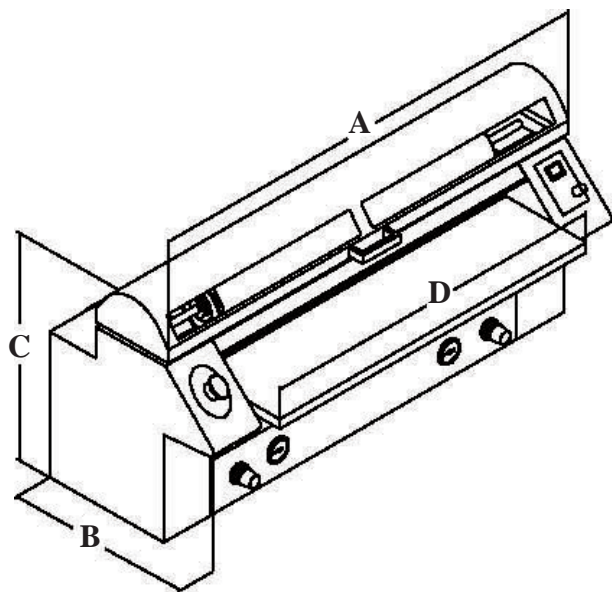
**CLEANS AS THIN AS
1 MIL (25 MICRON)**

IDEAL APPLICATIONS:

- Any process where a clean substrate is crucial
- Cleaning thin copper foil before lamination
- Cleaning thin inner layers
- Cleaning flex circuit material
- Cleaning of Kapton, Mylar



MKTF



Cleaning Width	24" (610 mm)	30" (762 mm)
A	35.4" (899 mm)	41.4" (899 mm)
B	14.4" (366 mm)	14.4" (366 mm)
C	17.4" (442 mm)	17.4" (442 mm)
D	27.1" (688 mm)	33.1" (870 mm)

FEATURES

- Cleaning width of 24" (610mm.) and 30" (762 mm.)
- Segmented Polymer Cleaning Rollers
- **Patented** Pneumatic System
- Programmable Logic Controller enabling custom programming to meet changing needs
- Double Sided Cleaning
- Adjustable Feed Line Height
- Anti-Static Bars

OPTIONS

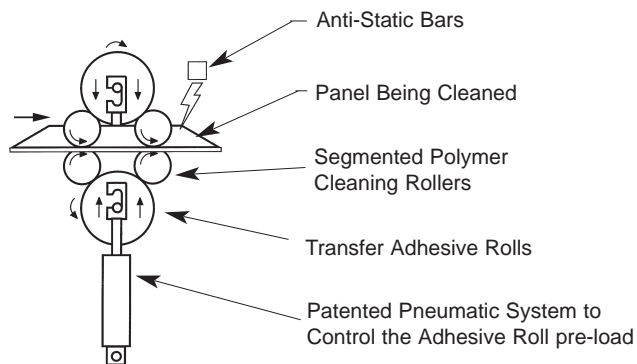
- Air compressor
- Shop Air Kit
- Custom Feed Line Heights
 - a. 8" (203 mm.) b. 12" (305 mm.) c. 16" (406 mm.)
- Stand configuration options

POWER REQUIREMENTS

- 110VAC or 220VAC
- Air Supply for (60 P.S.I)

THE CLEANING PROCESS

Special polymer rollers lift the contaminate from the panel and transfers them to the adhesive roll. When the adhesive roll becomes laden with contaminate, simply strip the outer layer exposing a new clean surface of adhesive. Two anti-static bars neutralize product, preventing re-contamination.



INFORMATION CONTAINED IN THIS DOCUMENT
SUBJECT TO CHANGE AT SDI DISCRETION



21 Morgan
Irvine, CA 92618
U.S.A.
Phone (949) 583-1001
Fax (949) 583-7007
www.sdionline.com